

M215FW Series Waterproof Panel PC

- Developed for demanding food & beverage production and industrial automation facilities.
- IP69K waterproof & dustproof, designed to withstand harsh environments.
- Waterproof M12 I/O connectors.
- Complete stainless enclosure for maximum protection.
- Fanless for maximum operational reliability.
- Supports 1-point Resistive or 10-point PCAP touch.
- Multiple CPU platform choices.
- No mechanical components for increased durability.
- VESA 75x75 & 100x100 mounting holes for pole, wall, and stand mountings.



Specification	Intel Atom & Elkhart Series	Intel Core Kaby/Whiskey/Tiger Series
LCD		
Display Type	21.5" TFT LCD	21.5" TFT LCD
Max. Colors	16.7M	16.7M
Luminance	250 cd/m2 ~ 1500 cd/m2	250 cd/m2 ~ 1500 cd/m2
Viewing Angle	160° ~178° H, 160° ~178° V	160° ~178° H, 160° ~178° V
LED Backlight (Hours)	30000 ~ 70000	30000 ~ 70000
TOUCH SCREEN		
Type	Resistive or Projected Capacitive Touch	Resistive or Projected Capacitive Touch
Touch Screen	Single-point Resistive, 10-points PCAP	Single-point Resistive, 10-points PCAP
SYSTEM		
Processor	Intel Atom Celeron Processor Bay Trail J1900, 10W Elkhart Lake J6412/6413, 10W	Intel Kaby/Whiskey/Tiger Lake Processor Kaby(7th) : Celeron 3965U, Core i3-7100U, i5-7300U, i7-7600U, 15W Whiskey(8th) : Celeron 4305UE, Core i3-8145UE, i5- 8365UE, i7-8665UE, 15W Tiger(11th) : Celeron 6305E, Corei
System Memory	DDR3L or DDR4 SO-DIMM up to 16G or 32G	DDR4 SO-DIMM up to 32 or 64G
Chipset	Integrated	Integrated
Network	2 x LAN Gigabit Ethernet	2 x LAN Gigabit Ethernet
I/O Port	2xUSB2.0, 2xUSB3.0, 2xRS-232, 1xRS-232/422/485 1xVGA, 1xHDMI, 1xDC-in Jack	4xUSB3.0, 2xUSB2.0, 2xRS-232, 1xRS-232/422/485 1xHDMI, 1xDP & 1xVGA(optional), 1xDC-in Jack
Watchdog Timer	256-level Watchdog Timer	256-level Watchdog Timer
System Security	TPM (optional)	TPM
Storage	1xSATA 3.0	1xSATA 3.0
Expansion Slot	1xmini-PCIe, 1xM.2-B	1xM.2-M, 1xM.2-B, 1xM.2-E
Audio	N/A	N/A
OS Support	Windows 10 IoT Enterprise 64-bit, Linux, Ubuntu 20.04	Windows 10 IoT Enterprise 64-bit, Linux 5.4-64-bit, Ubuntu LTS 64-bit
POWER REQUIREMENT		
Power Input	DC 12 to 24VDC(optional 9~36V)	DC 12 to 24VDC(optional 9~36V)
Power Adapter	AC to DC 12/8A, 96W adapter	AC to DC 12/8A, 96W adapter
MECHANICAL		
Mounting	VESA 75x75 or 100x100 mm	VESA 75x75 or 100x100 mm
Dimension	Based on LCD size	Based on LCD size
Weight	Based on LCD size	Based on LCD size
ENVIRONMENT		
Operation Temperature	0°C ~ +50°C (32°F ~122°F)	0°C ~ +50°C (32°F ~122°F)
Storage Temperature	-20°C ~ +60°C (-4°F ~ 140°F)	-20°C ~ +60°C (-4°F ~ 140°F)
Storage Humidity	10% ~ 90%, non-condensing	10% ~ 90%, non-condensing
Vibration Resistance	Sine Frequency : 10~500Hz, Acceleration : 3G, Sweeping Rate : 1 Oct/min, Test : X/Y/Z axis, 30 min/axis	Sine Frequency : 10~500Hz, Acceleration : 3G, Sweeping Rate : 1 Oct/min, Test : X/Y/Z axis, 30 min/axis
EMC	CE, FCC Class A	CE, FCC Class A
Ingress Protection	IP65, IP66, or IP69/K(optional)	IP65, IP66, or IP69/K(optional)
OPTION		
Peripherals	WiFi, BlueTooth, Scanner, RFID, MSR, etc	WiFi, BlueTooth, Scanner, RFID, MSR, etc

Features



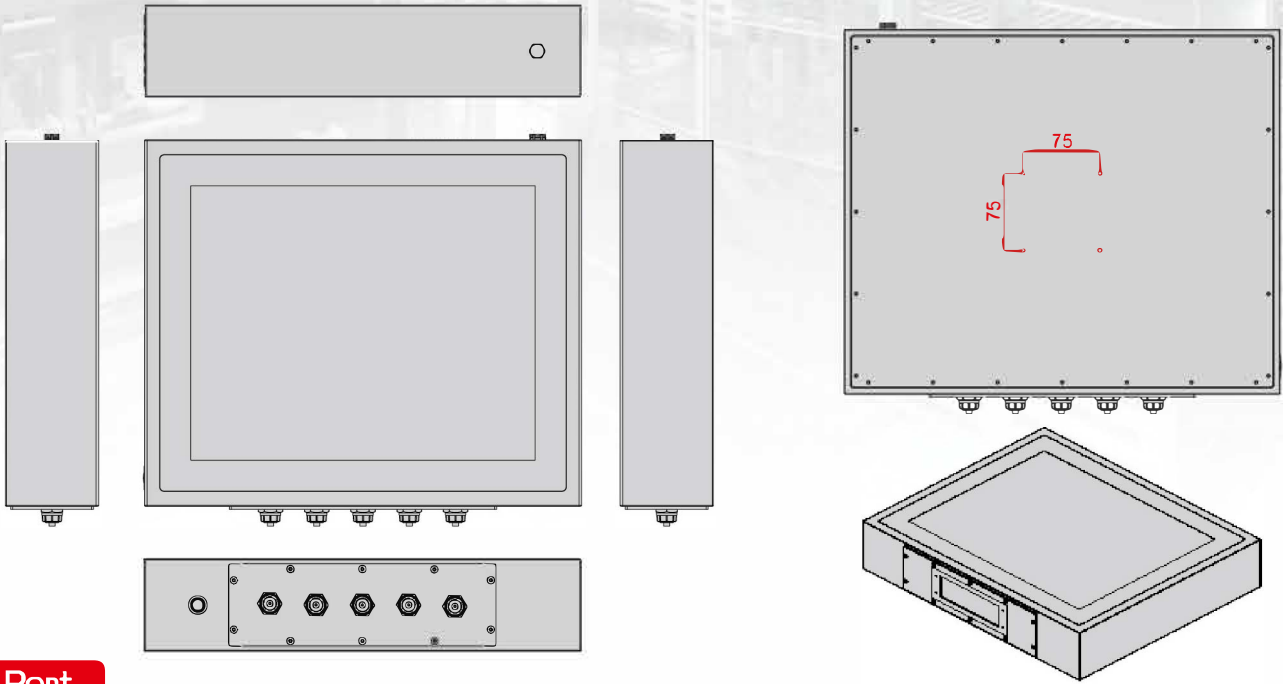
■ Full Water-Proof



■ Prevents Condensation

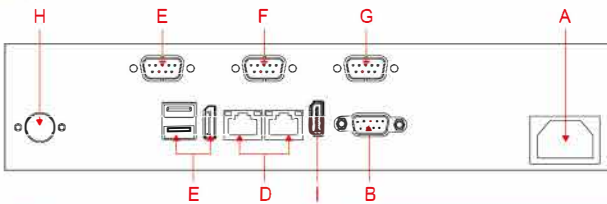


■ Water-proof M12 I/O



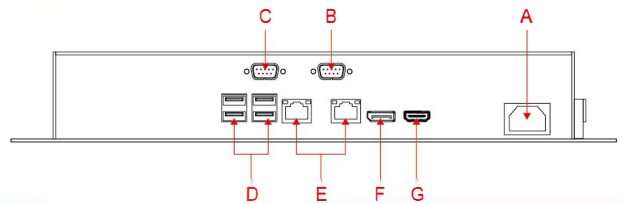
I/O Port

Intel® Atom Bay Trail Series



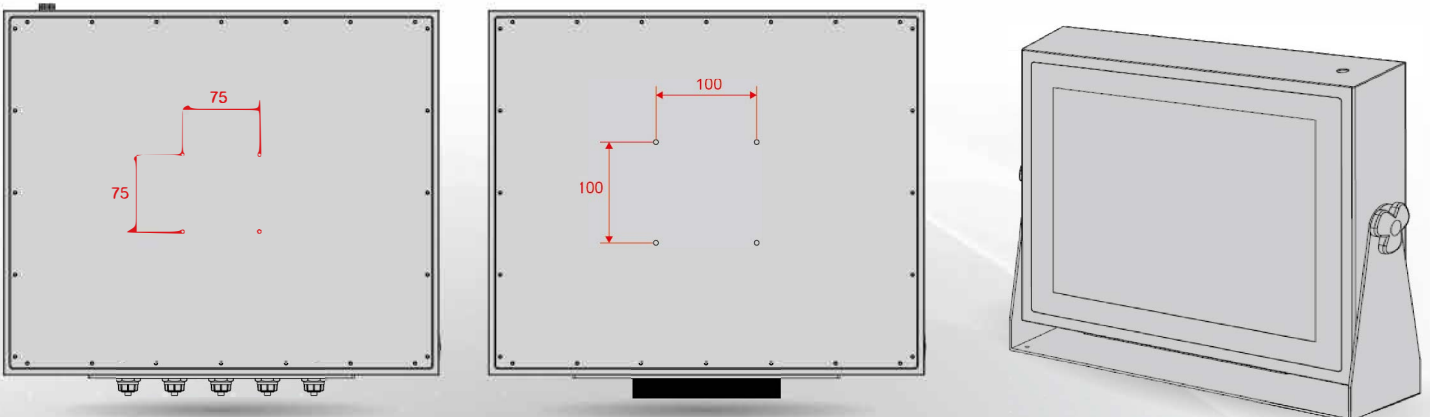
Number	Component
A	AC-in Jack(AC100~240V 50~60Hz)
B	VGA
C	USB X 3
D	LAN X 2
E	COM 1
F	COM 2
G	COM 3
H	PS/2(optional)
I	HDMI

Intel® Kaby/Sky Lake Series



Number	Component
A	AC-in Jack(AC100~240V 50~60Hz)
B	COM 1
C	COM 1
D	USB 3.0 X 4
E	LAN X 2
F	DP
G	HDMI

Wall-Mount Type & Stand



* specifications is subject to changes without prior notice.