



## 10.4" Rimless USB LCD Monitor



USB Powered

New Capacitive Touch keys control design provide high durability of operation, also with a thin & whole flat front panel gives an elegant and compact appearance.

### Applications:

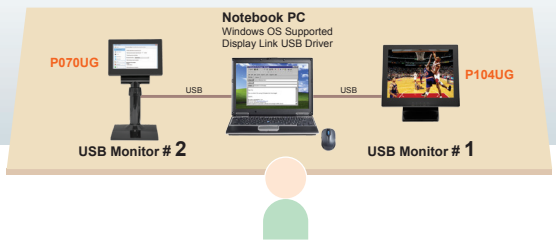
SOHO/Chain stores/Hospitality/POS Customer display

### Features

1. Rimless front bezel design
2. Low power consumption with LED backlight
3. Sleek surface throughout monitor's appearance
4. VESA 75 x 75 mm wall mounting standard
5. Integrated protection glass (**P104UG**)
  - 5 wires resistive flat touch (**P104UR**)
  - PCAP touch (**P104UP**)
6. USB Powered



### USB Multiple Display w/NB



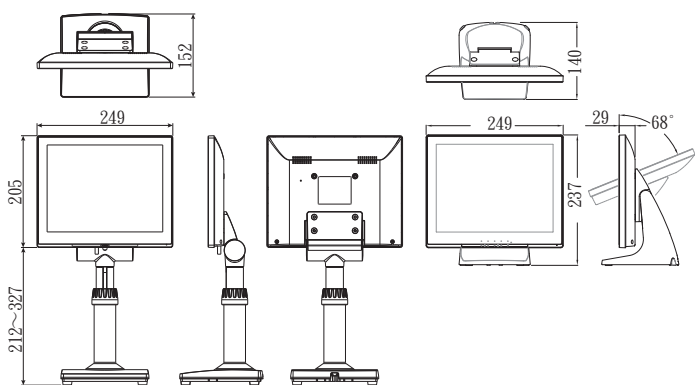
Touch Metal Stand (Optional)

### Specification

| Model            | P104UG / P104UR / P104UP  |
|------------------|---|
| Cabinet Color    | Black or White ( by MOQ )   |
| Front Panel      | Mitsubishi PMMA Hardness > 5H (JIS D0202), T > 93% ( <b>P104UG</b> )<br>5 wires Resistive touch ( <b>P104UR</b> )<br>Projected capacitive touch panel ( <b>P104UP</b> ) |
| Display Type     | 10.4" diagonal TFT active matrix with LED backlight   |
| Resolution       | 800 x 600   |
| Panel Brightness | 300 cd/m <sup>2</sup> (Typ.)  |
| Contrast Ratio   | 500:1 (Typ.)  |
| Viewing Angle    | 150° (H) / 110° (V)   |
| I/O Connectivity | Mini USB x 1, DC 12V in   |
| DC Power         | Optional power adaptor  |
| Backlight MTBF   | 15,000 hrs (Min.)   |

\* Specification is subject to change without prior notice.

### Dimension (unit: mm)



### I/O indication

#### P104UG / P104UR / P104UP

