

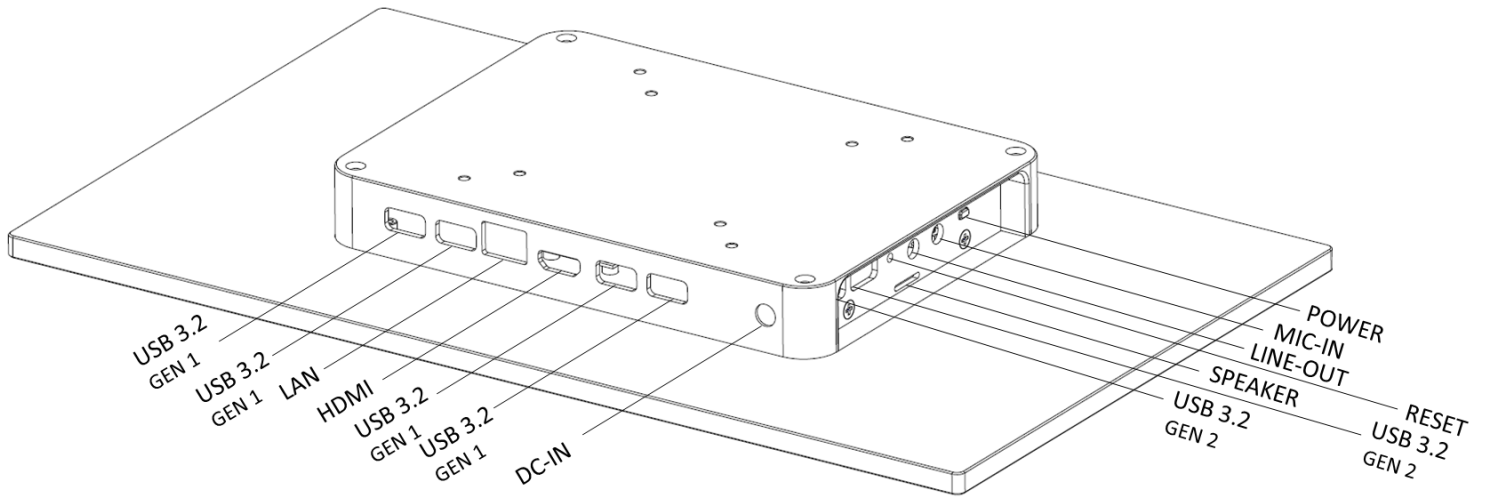
15.6" All-Aluminum Industrial Panel PC



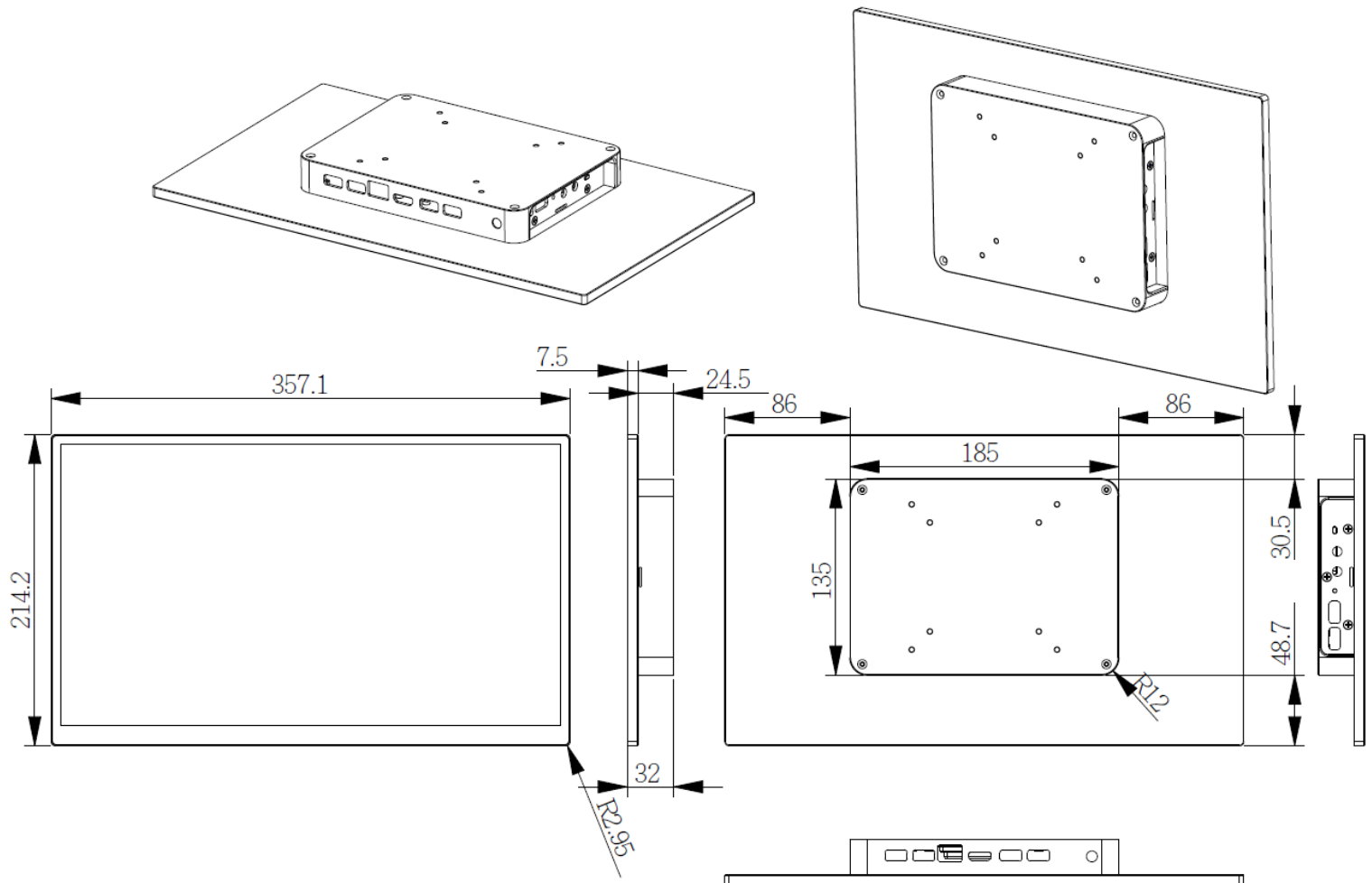
Product Features

- ◆ Elegant and aesthetically blend into any retail or industrial setting.
- ◆ Ultra-thin borders for broader and cleaner viewing experience.
- ◆ Ultra-slim form factor enables panel mounting.
- ◆ Robust, all-aluminum housing to meet retail and industrial demands.
- ◆ Fanless and non-mechanical components to ensure optimal reliability.
- ◆ Boasting a 1920x1080 Full HD resolution.
- ◆ 16:9 aspect ratio is ideal for landscape or portrait orientations.
- ◆ Powered by Intel's 12th Gen CPUs: Alder Lake N100.
- ◆ Unleash the full power of the latest CPUs with DDR5 RAM.
- ◆ IP54 front panel ingress protection.

I/O Ports



Dimensions



Technical Specifications

Model		PPC156
CPU		Intel Alder Lake N100 (4-Core, 3.4GHz, 6MB Cache)
System Memory		1 * DDR5, SO-DIMM (Max. 16GB)
Graphic		Intel UHD Graphics, 1.2GHz
Storage	SSD	1 * M.2 (Max. 512GB)
LCD	Size	15.6" TFT LCD
	Resolution	1920 * 1080
	Brightness	300 cd/m2 (Typ.)
	Contrast Ratio (Typ.)	800:1
	Viewing Angles (H/V)	170° / 170°
MTBF		15,000 hrs (Min.)
Touch Screen	Type	10-Points Projected Capacitive
External I/O Port		4 * USB 3.2 Gen1
		2 * USB 3.2 Gen 2
		1 * HDMI
		1 * LAN (RJ45, 2.5GbE Intel i226LM)
		1 * Line-Out (3.5mm)
		1 * Mic-In (3.5mm)
		1 * Reset
		1 * DC-In (5.5*2.5mm, Support 12~36VDC)
Speaker		2 * 1Watt
Power		AC Power Adapter (19V/65W)
Environmental	Operating Temperature	0°C ~ 40°C
	Storage Temperature	-20°C ~ 60°C
	Operating Humidity	20% ~ 85% RH non-condensing
	Storage Humidity	20% ~ 85% RH non-condensing
Housing		Aluminum Alloy
OS Support		Windows® 11, Linux Fedora/CentOS/Ubuntu
Dimension (W * H * D)		357.1 * 214.2 * 32 mm
Weight (N.W./G.W.)		1.4Kgs / 2.5Kgs
Wall Mount (VESA)		75*75mm & 100*100mm

* Specification is subject to change without prior notice.