



A Series | A150BX

15" Aluminum Industrial Touch Monitor

Key Features

1. Rimless **aluminum bezel**, Ergonomic enclosure design, Mechanical design for additional equipment installation.
2. Front bezel meet **IP65** standard.
3. Additional "**External (OSD) control key pad**" for service purpose.(option)
4. 15" diagonal screen with native resolution 1024 x 768.
5. 4:3 aspect ratio for landscape orientation.
6. VESA 100 x 100 wall mounting standard.
7. 10-Points projected capacitive touch panel, EETI multi-touch technology. Support EETI **active stylus pen**.
8. Touch panel supports higher sensitivity, allows operation even with **wearing gloves**. Such as cotton gloves, 3M comfortable grip gloves and latex gloves.(by request)
9. User friendly OSD control buttons with keys lockable.
10. **Side mounted** design with metal brackets.(option)
11. Attached **cable organizer** to keep cables well organized.(option)

Application

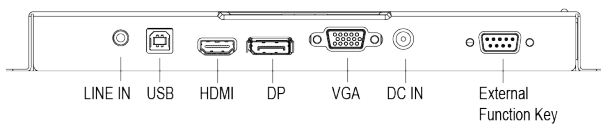
Factory Automation / Heavy Industry / Medical / Public Transportation



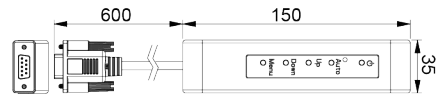
Specification	
Active Screen Size	15.0 inch
Aspect Ratio	4:3
Resolution	1024×768
Panel Brightness	350nits (Typ.)
Contrast Ratio	800:1 (Typ.)
Response Time	8ms (Typ.)
MTBF	50,000hrs (Min.)
Touch Type	Projected Capacitive Touch (PCAP)
Connectivity	VGA×1, HDMI×1, DisplayPort×1, Audio line in×1, USB type B for touch
	D-SUB-9 x 1 (for External Function Key)
Audio Input	3.5mm phone jack
Audio Output	Internal speaker, 3W×2
Function Key	POWER, AUTO, UP, DOWN, MENU
OSD Language	English, 繁中, 簡中
Adaptor Power Input	AC 100-240V 1A, 50-60Hz
Adaptor Power Output	DC 12V 3A
Power Consumption	ON: <18W OFF: <0.5W Standby: <0.5W
Operating Temperature	0°C~50°C
Operating Humidity	10% to 85% (non-condensing)
Storage Temperature	-20°C~60°C
Storage Humidity	5% to 80% (non-condensing)
VESA Compatibility	100×100 mm
Dimensions (W×H×D)	Physical 357×280×46mm ; Packing 483×375×195mm
Weight	Net 4Kg ; Gross 6Kg

* Specification is subject to change without prior notice.

I/O indication



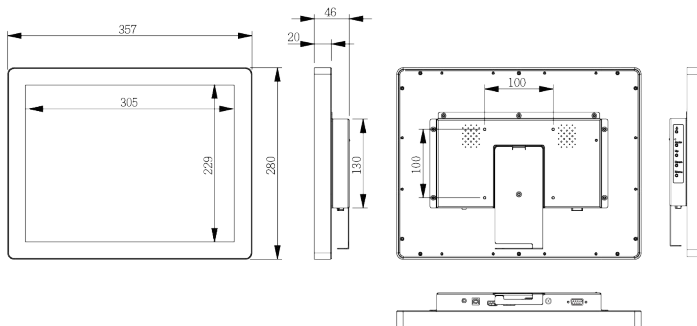
External Control Key Pad (option)



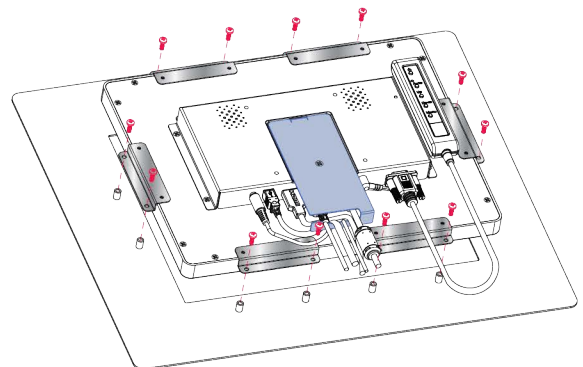
On Board Control Key Pad



Dimension (unit: mm)



Side Mount Kit and Cable Organizer (option)



For more information on this and other Phistek products, please visit our website at:

www.phistek.com sales@phistek.com



PHiStek
Display Solution Provider