

POS150

15" Touchscreen POS Terminal
Powered by Intel® Core™ Processor



Features

- Equipped with Intel® 11th Gen. TigerLake-UP3 Mobility low power processor (Quad-core)
- Whole system purely fan-less design
- Projected capacitive 10-Point Multi-Touch
- Dual-hinge design adapts different system height and operating angle
- Dual drive storage gives greater control and manageability to the data
- Integrated UPS battery protect the system when power outage occurs

Introduction

POS150 series is the leading-edge touch POS terminal, through the advanced cord-free technology to eliminate the risk associated with cords, make it easier upgrade and maintenance the MB hard drive and RAM.

Embedded with Intel new generation of Mobile low power platform and low power consumption.

The patented dual-hinge design adapts different system height and operating angle, perfect fit for changing hospitality and retail environments, and further more optimize the packing design for shipping and storage costs saving.

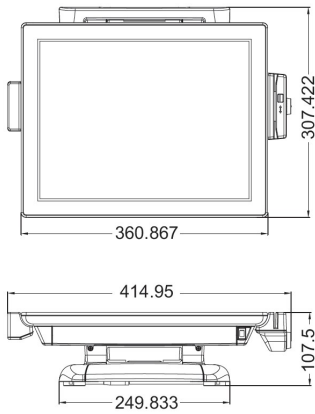


Specifications

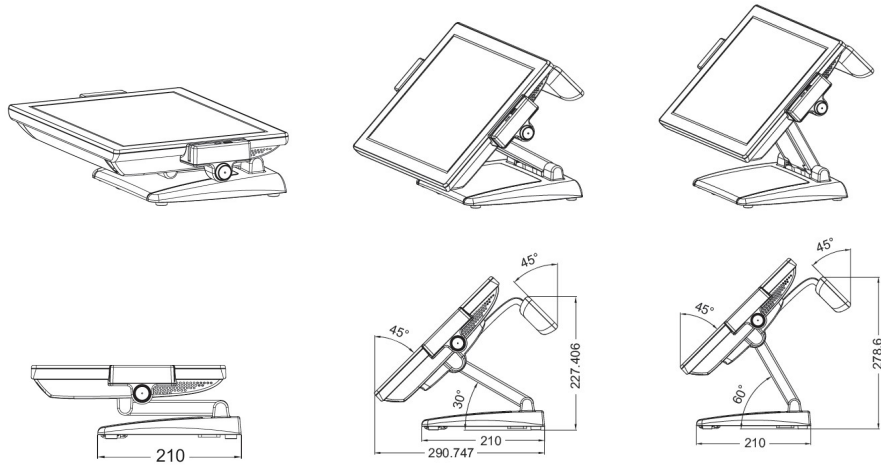
System	CPU	Celeron 6305E Dual core 1.8 GHz I3-1115G4E Dual core 3.0 GHz I5-1145G7E Quad core 2.6 GHz
Memory	RAM	2 * DDR4 260 PIN socket / 64GB Max.
Storage	SSD or HDD	SSD: 64G / 128G / 256G or HDD: 500G
	M.2 SSD	1 * M.2 (2280 / Socket M Key / NVME PCI-e interface
OS	Operating Systems	Win 10 IoT Enterprise 2016 LTSB / Win 10 IoT Enterprise 2019 LTSC / Linux KERNEL 3.0 or above
Display	Type	15"LED Backlight LCD Display
	Resolution	1024 x 768 (4:3)
	Brightness	300 cd/m ²
Touchscreen	Type	Flat Projected Capacitive / 10 Point multi-touch
Multimedia	Speaker	2 x 2W Internal Speakers
I/O	Standard I/O	4 x USB 2.0 2 x USB 3.0 1 x USB 3.1 Gen.2 high speed port (USB-C without DP function) 4 x RJ-50 RS-232 (default 0V; COM1, COM2, COM3, COM4 0V/5V/12V by Jumper) 1 x RJ45 Gigabit LAN port 1 x RJ-12 12V/24V DK Port (default 24V for Cash Drawer) 1 x Audio Output Phone Jack 1 x HDMI 1.4 1 x DC 12V Out for DC Out 1 x DC 19V In with Lock for DC In
	Buttons	1 x Power On/Off Button
	Extension Kits (Optional)	MSR Card Reader Kit / RFID Reader Kit / i-Button Reader Kit / Fingerprint Reader Kit / VFD Customer Display Kit / 8" 2nd Display Kit / 10" 2nd Display Kit / 15" 2nd Display Kit
	Power	Adapter
Mechanical	Dimensions (W x D X H)	361*239*313 mm (14.21*9.41*12.32 in)
	Weight	Net weight: 6.6Kg / 14.5 lb
Environment	Operating Temperature	0°C to 40°C (32°F ~ 104°F)
	Storage Temperature	-25°C to 70°C (-13°F ~ 158°F)

Dimension

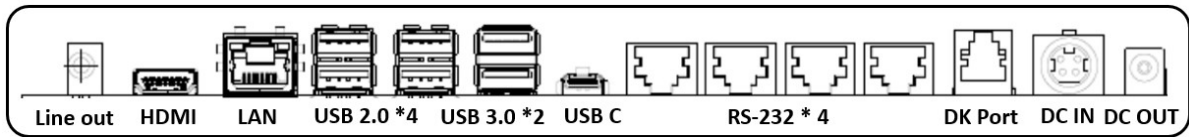
Standard Display (unit: mm)



LCM/VFD Customer Display



I/O Panel



Ordering Information

Model	Part Number	Screen size	CPU	Touch
POS150	TBD	15" LED Backlit LCD Display (4 :3)	Intel® Tiger-Lake UP3 Chipset	Flat Projected Capacitive Touch

Product Configuration Ordering Information

Item	Part Number	Description
CPU	TBD	INTEL Celeron® 6305E Dual core 1.8 GHz
	TBD	INTEL Core™-I3 1115G4E Dual core 3.0 GHz
	TBD	INTEL Core™I5 1145G7E Quad core 2.6 GHz
RAM	TBD	4GB DDR4
	TBD	8GB DDR4
	TBD	16GB DDR4
Storage	TBD	64G SSD
	TBD	128G SSD
	TBD	256G SSD
	TBD	500G SATA HDD
	TBD	128GB M.2
Cable	TBD	RJ-45 Cable
	TBD	Cash Drawer Y Cable
	TBD	LTP Cable

Product Cord Ordering Information

Part Number	Description
UKPC	UK Power Cord BSI 3P 10A 250V 183cm
EUPC	EU Power Cord EU 3P 10A 250V 183cm
JPPC	Japan Power Cord PSE 3P 7A 125V 183cm

AUPC	AU Power Cord SAA 3P 10A 250V 183cm
USPC	US Power Cord UL 3P 10A 150V 183cm
SAPC	SA Power Cord SABS 3P 6A 250V 183cm

Os Ordering Information

Part Number	Description
W10IOT16	Windows 10 IoT Enterprise 2016 LTSC
W10IOT19	Windows 10 IoT Enterprise 2019 LTSC

Optional Accessories

			
	MSR Card Reader (USB)	RFID Reader (USB)	i-Button Reader (USB)
			
	MSR & i-Button Reader (USB)		Fingerprint Reader (USB)
			
	UPS	2nd Storage	WiFi
			
	VFD Customer Display (RS-232)	8" 2nd LCD Display (HDMI)	10" 2nd LCD Display (HDMI)
			
		15" 2nd LCD Display (HDMI)	