

# ZE7000

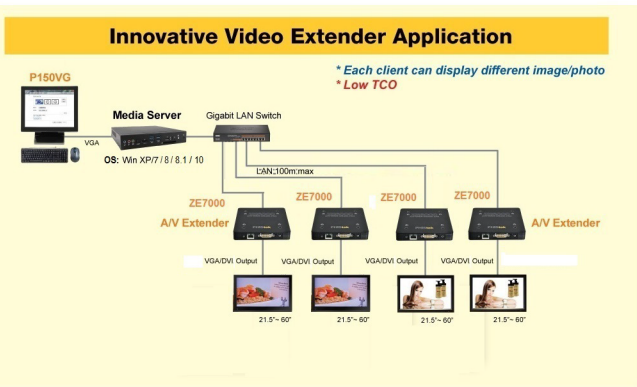


## Video Extender

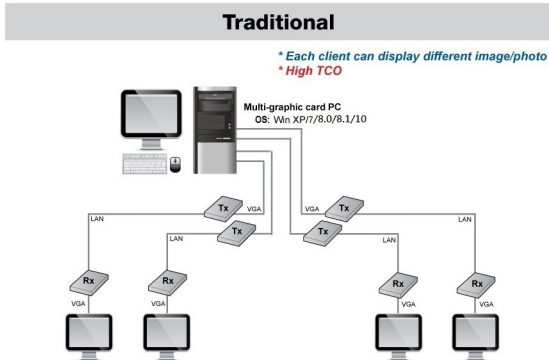
# AV over Ethernet Adaptor



### System Structure



\* Each client can display different image/photo  
\* Low TCO



\* Each client can display different image/photo  
\* High TCO

### Application

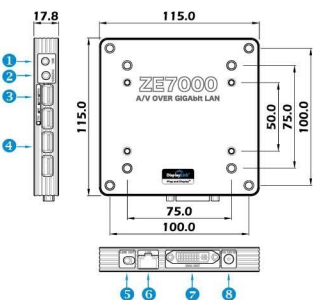
- Video Extender
- Signage Broadcasting / Information Kiosk

### Specification

ZE7000		
Power Brick	AC adaptor input	AC100V~240V, 50~60Hz
	DC power output	12Vdc @1.5A
Power Consumption		3 watts + 10 watts full USB bus power
	LED indicators	Power LED Network Connect LED Indification LED
Input/output connectors	Ethernet input	x 1 RJ-45, 10/100/1000Mb Ethernet
	USB downstream ports	x 4 USB A type (USB 2.0)
	Video output	x 1 DVI-I connector for VGA or DVI-D
	Audio output 1	x 1 Line out phone jack
	Audio output 2	x 1 headphone
	Audio input	x 1 Microphone
Max. Video resolution	FHD	1920 x 1080
	Operating temperature	0° C ~ 35° C
Environmental	Non-operating temperature	-30° C ~ 60° C
	Operating Humidity	10% ~ 90% (non-condensing)
	Non-operating Humidity	5% ~ 95%
	Cooling	Fanless
Mechanical	Mounting	8 VESA holes; 4 spaced at 100mm centers and 4 spaced at 75mm centers
	Dimensions W x D x H	115mm x 115mm x 17.8mm
	Weight	326g
Server OS supporting		XP,Vista, Win7, Win8, Win8.1 ,Win10
Regulatory		FCC, CE
Compliance		WEEE, RoHS
Optional		DVI to DVI cable(25cm) / DVI to VGA cable(180cm)

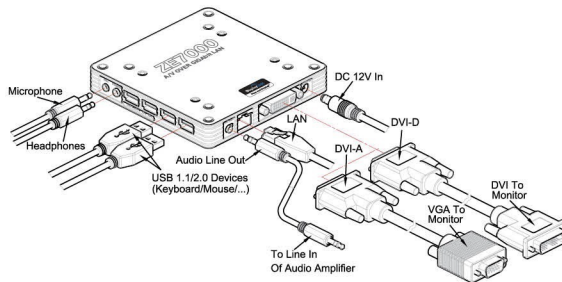
\* Specification is subject to be changed without prior notice.

### I/O indicator (unit: mm)

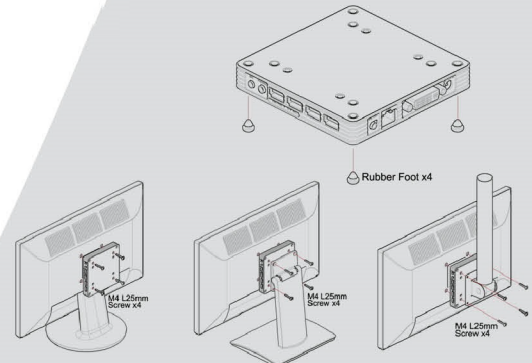


1. Microphone
2. Headphone
3. LED indicators
4. USB A type down stream port x 4
5. Line out
6. RJ-45 Ethernet connetor
7. DVI-I Connector
8. DC 12V in
9. Reset

### Cable installation



### VESA Mounting ( Patent: M433940 )



2015.11

